

## Features



Super bright Epistar COB/SMD LED is used for Ultra-thin LED Flood Light series to provide most efficient lighting possible.

- \* Ultra-compact size.
- \* Maintenance Free. Extremely long lifetime, save labor cost to replace bulbs with short lifespan.
- \* Waterproof IP66.
- \* Fixtures come with a yoke-style arm can be positioned in almost any angle and a variety of application settings.
- \* Epistar COB/SMD as Lighting Source,90-100lm/W

## Replacement Table

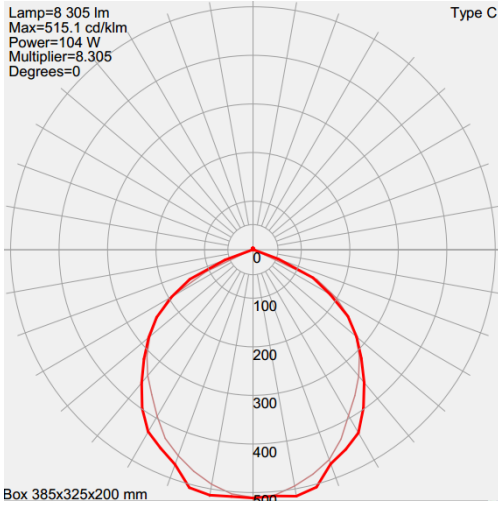
LED Flood Light	Metal Halide	CFL
100W	175W	150W
150W	250W	200W
200W	400W	300W

## Application

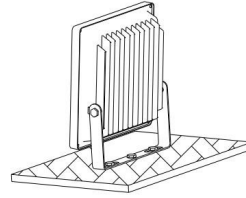


- \* Garden Lighting,
- \* Park Lighting,
- \* Billboard Lighting,
- \* Landscape Lighting,
- \* Building Lighting,
- \* Stadium Lighting, etc.

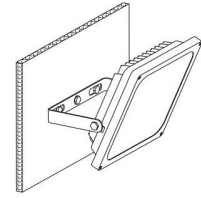
## Light Distribution Curve



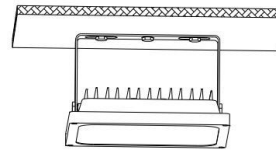
## Installation



Ground Mount



Wall Mount

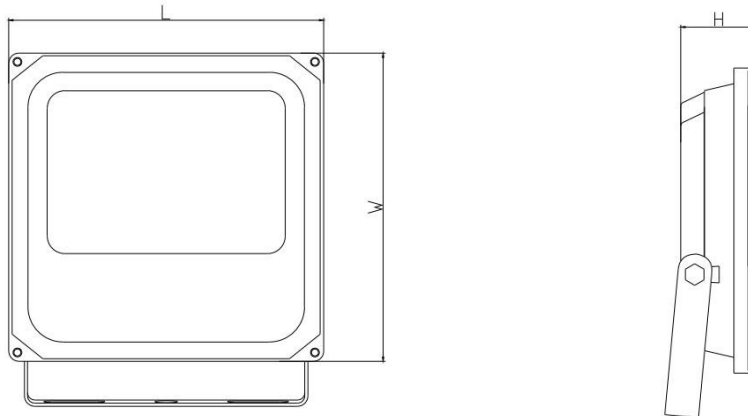


Ceiling Mount

## Specs Data Sheet

SKU	WQF-FG100W02	WQF-FG150W02	WQF-FG200W02
Power	100W	150W	200W
Lumen	900 lm	1350 lm	1800 lm
Power factor	>0.90	>0.90	>0.90
Input voltage	85-265 VAC	85-265 VAC	85-265 VAC
CCT	2700K ~ 7000K		
CRI	Ra>70		
Luminous efficiency	90 lm/w		
LED brand	Epistar COB; Epistar SMD 5730		
Housing color	Black		
IP grade	IP65		
Beam angle	120°		
Material	Aluminum		
Working temperature	-30°C ~ +45°C		
Lifespan	50000 Hours		
Warranty	3 Year		

## Product Dimension



SKU	WQF-FG100W02	WQF-FG150W02	WQF-FG200W02
Power	100W	150W	200W
Size: L*W*H	290*290*92mm	335*315*97mm	373*373*125mm

## Product Packing

SKU	Power	PCS/CTN	Net Weight	Gross Weight	CBM
WQF-FG100W02	100W	1	6 KG	6.7 KG	34.7*32*25.7cm $\approx$ 0.029 m <sup>3</sup>
WQF-FG150W02	150W	1	7 KG	7.5 KG	38.7*34*25.7cm $\approx$ 0.034 m <sup>3</sup>
WQF-FG200W02	200W	1	9.8 KG	10.5 KG	51*42*27cm $\approx$ 0.058 m <sup>3</sup>

## Precautions

---

### Installation:

Please read the installation instructions carefully before installation, and follow the prompts to strict specifications to operate

1. Make sure that power is turned off before installation to ensure safety.
2. By mounting holes on the mounting bracket product can be directly screwed to the mounting pole or wall mounting.
3. After fixing a good product, you can slightly loosen the screws on both sides of the bracket, and then convert the bracket to adjust the illumination angle of the lamp.
4. Working environment temperature  $-25\text{ }^{\circ}\text{C}$  ---  $+45\text{ }^{\circ}\text{C}$ . Humidity: 10% -90% RH.
5. Wiring joints, please do the installation of lighting waterproof seal 5. measures to prevent water and drain.
6. The non-dimming lighting fixtures, do not connect with any standard dimmer.
7. Please find a professional electrician to install, greeting connect wiring according to instructions on the label, make sure that a good grounding.

### Caution:

1. This product is LED lamps protection class IP65, it is not suitable for swimming pools or other underwater sites.
2. To ensure proper use, please do not change the LED lamp structure. Any adverse please contact the manufacturer sales staff.
3. Regular cleaning of the floodlight glass, in order to maintain good lighting translucent.
4. regularly floodlight housing and radiator dust cleaning, in order to maintain good heat dissipation.

### Packaging, transportation and storage requirements:

1. Product and packaging have corresponding clearly marked, do not mix mix;
2. Transport outside the box in strict accordance with the standard, sealing, taping, labeling paste (product name, quantity and other information);
3. Storage Requirements: Be careful not to drop the heavy beat and dumping, severe stress within the glass may shatter;
4. Storage period: 3 years after the deadline must be qualified after re-examining longer be used.